

To properly install your DecoRoof, complete the followings steps in order.

**1) INSTALL THE VINYL MOUNTING STRIPS:**

Start with the left flanker mounting strip (#1), place it on the top outer edge of the window frame above the left-hand flanker window. If your window uses brickmold or casing, the mounting strip mounts to the top outer edge. Carefully drill through the mounting assembly and into the window frame, then screw the strip into place, using the 1/2" #8 stainless steel screws provided. Approximately one screw every 10" with one on each end of the strip should suffice. (See Figure #1)

Repeat this step for all other mounting strips from left to right. The ends of the strips should just about touch each other, but should **NOT** overlap. When this is finished, lightly silicone the joint wherever the mounting strips come together.

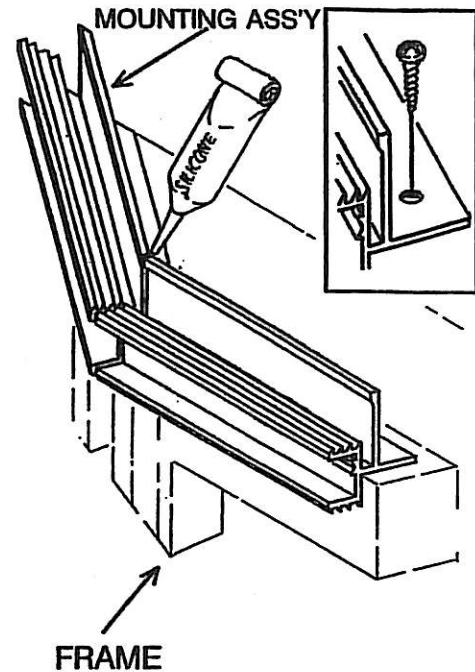


Figure #1

**2) ASSEMBLE THE PANELS:** Starting with the panels #1 and #2, bolt all the panels together finger-tight, using a washer on each side of the gussets. (See Figure #2)

Check to see the seams are straight, then tighten with the wrenches. Continue with the rest of the panels until all the panels are bolted together.

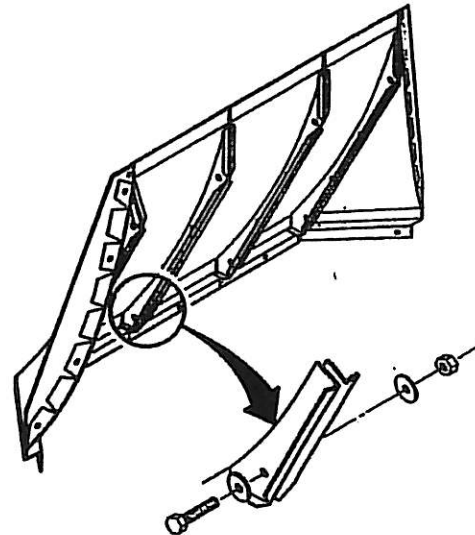


Figure #2

**3) INSULATION:** Apply any insulation before lifting the roof into place. Position the insulation so that it allows the roof to sit snugly on the top of the window and smooth against the wall. (See Figure #3)

**4) SETTING THE ROOF INTO PLACE:** Using two or more persons, carefully lift the assembled roof panel unit into place. It is essential that you support it firmly at both ends and in the middle to avoid kinking or bending any of the panels. A piece of scrap lumber laid across the center panels and temporarily screwed into the panel seams will provide both rigidity and convenient carrying handles. Slide the flanges of the roof down into the slots of the vinyl mounting strips. Make sure that the angles of the roof line up with the angles of the window below. Make any necessary adjustments for fit. (See Figure #4)

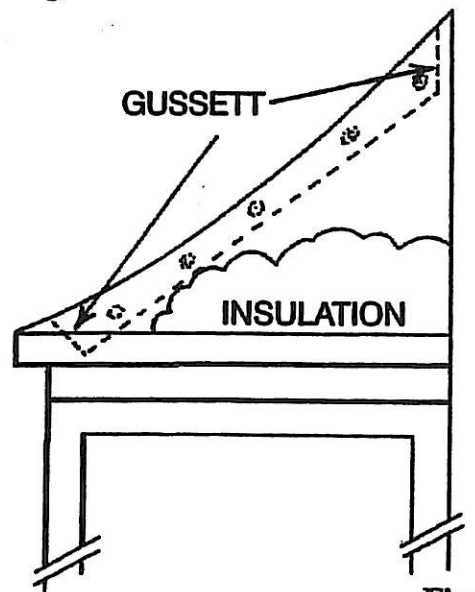


Figure #3

**5) FASTENING THE ROOF IN PLACE:** Fasten the panel flanges to the vinyl mounting strips. Hold the roof panels down into the mounting strips and drill through the "V" groove in the vinyl mounting strip and the roof flange as indicated in "Figure 5". Then secure using the 1/2" #8 stainless steel screws provided. Use approximately three screws per panel. (One at each end and one in the center.) Continue until all panels are secured. (See Figure #5)

**6) FASTENING TO THE WALL:** Next attach the panels to the wall using the 1/2" #8 stainless steel screws provided. Use 3-4 screws for the flanker panels and two for each miter or center panel, screwing them through the flashing and into the wall. For masonry applications, use your choice of masonry anchors (not provided) to attach the flashings to the wall. Continue until all the panels are fastened to the wall. (See Figure #5)

**7) SEAL THE PANEL SEAMS:** Run a bead of silicone down the full length of each panel seam. Make sure you include both the "nose", and the "overhang". Remember, the ribs will cover these joints when the installation is finished, so be thorough. Also remember to apply silicone to the curved seams where the flanker panels meet the flashing. Be sure to force silicone into the seams, do not just "lay it on top."

**8) INSTALL THE VINYL RIB RETAINERS:** Next, starting with the #1 vinyl rib retainer, center it on the panel seam so that the bottom end (marked bottom) is about 1/2" from the nose. Using the 1 1/4" stainless steel screws start with the bottom screw-hole, screw it into place until the strip curves sufficiently to start the second screw. (Note: The silicone acts as a lubricant making the process easier. If however, the seams are tight, drill pilot holes with a 3/32" drill bit.) Do not screw it down tight. Working your way up the strip, install the rest of the screws through the holes provided and into the siliconed panel seams. Now, tighten all the screws. The vinyl rib retainer should now be tight to the curve of the roof. Repeat this procedure for the rest of the rib retainers.

Start with one of the 1 1/2" retainers that attach to the "nose" of each panel seam. Using the 1 1/4" stainless steel screws, screw the vinyl piece into the seam through the hole provided. (See Figure #5) Snug it up, making sure that the screw-head is below the outside surface of the vinyl. Repeating this same procedure, install the rest of the "nose" pieces.

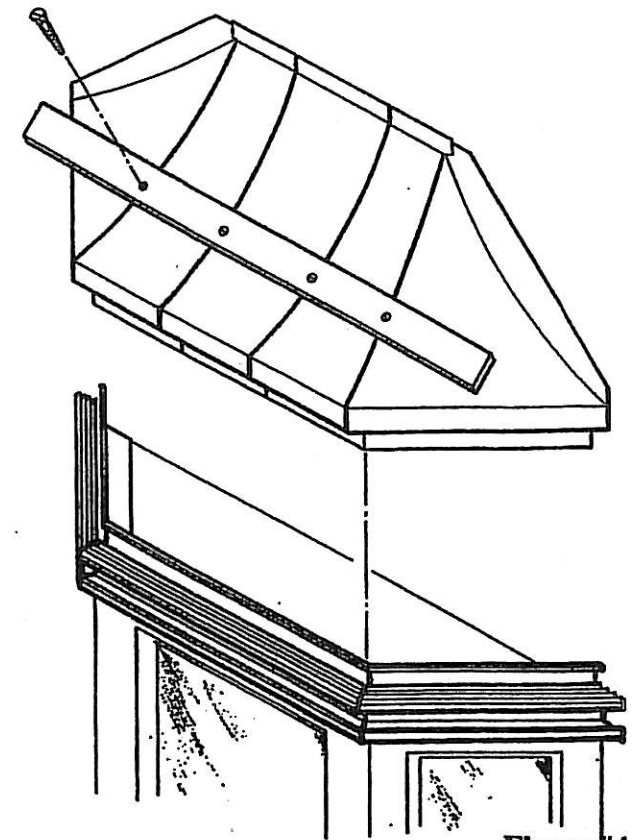


Figure #4

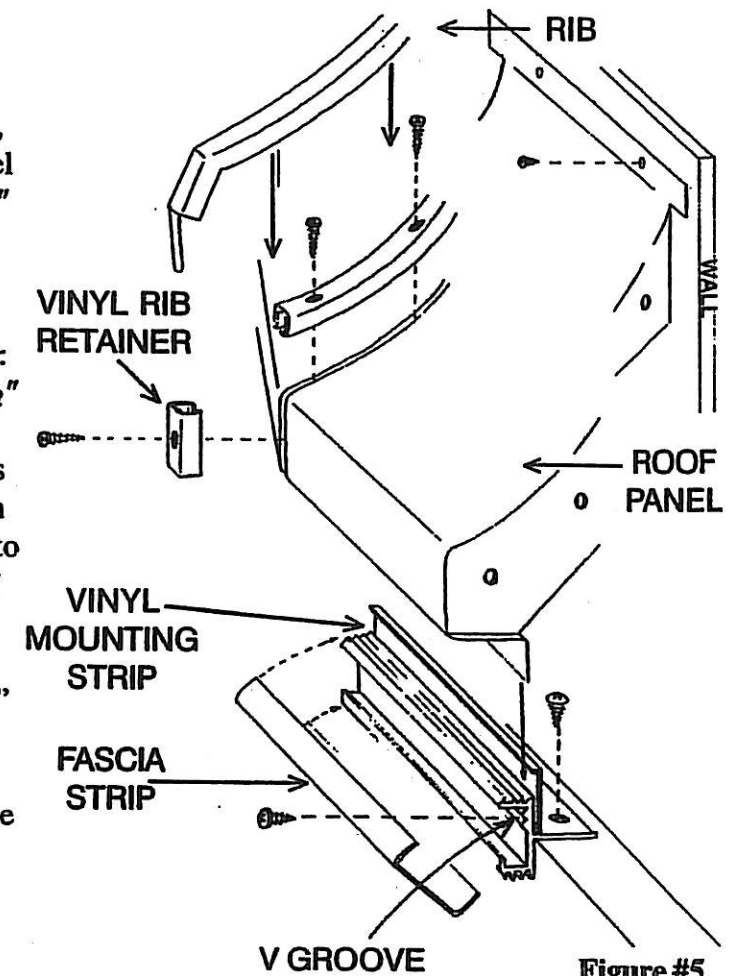


Figure #5

**9) INSTALL THE METAL RIBS:** Lightly silicone the inside of the metal ribs before installing them to the vinyl rib retainers. Starting at the nose, press the rib onto the vinyl rib retainer. It should "snap" into place. Next, press the rest of the rib into place, working from the bottom up. Repeat this procedure for the remaining ribs. (Note: The top of each rib is left unfinished so that it may be cut to length to fit various types of siding. If it must be cut, metal snips do the best job.)

(See Figure #3)

**10) INSTALLING THE FACIA STRIPS:** Run a small bead of silicone along the inside corners of the #1 fascia channel. Carefully press it into place over the corresponding mounting strip. Bend the end tab if necessary to form around the angle of the vinyl mounting strips. Repeat this procedure for the right "flanker" fascia piece denoted by the same number as the corresponding flanker panel. Then continue with the remaining fascia channels starting with #2 and working your way to the right until finished. (See Figure #5)  
**For Bows:** One of the fascia channels has no tabs. Save this one for last. Follow the same steps as installing the fascia for bay units, installing the two flanker pieces, (or ends) then working from left to right, saving the fascia piece without tabs for last, so all of the tabs are covered.

**11) INSTALLING THE SIDING:** On conventional installations, apply the siding over the flashing and up to the roof slope. Use the siding template to lay out your cuts for the roof curve.

**For installation or technical problems,  
please contact our Tech Support Team at 800-326-5355.**

The  
**DecoRoof**  
COLLECTION<sup>TM</sup>

**12) REMOVE THE PROTECTIVE FILM:** After all the danger from construction hazards has passed, peel off the protective plastic film. The acrylic latex adhesive should peel away easily. It may be necessary to score the protective film of the roof with a razor knife if the siding is up tight to the unit. This will make removal of the protective film easier. (Note: It may be prudent to peel back the film only a few inches around the roof and caulk before removing the film entirely.)

**13) CAULKING INSTRUCTIONS:** Now that your DecoRoof is completely installed, caulk around the entire perimeter of your roof wherever the siding meets the roof and any other areas that seem necessary. This helps to weatherproof your DecoRoof so be thorough.

**CONGRATULATIONS!**  
**Your DecoRoof is now  
completely installed.**

**CARE OF THE COPPER ROOF:** If your roof is copper, you will find a separate sheet on the care and maintenance of copper, included in your kit. It tells you about the normal aging process that unprotected copper undergoes, as well as a variety of methods you can use to protect against aging should you choose to keep the copper finish always looking new.



The  
**DecoRoof**  
COLLECTION<sup>TM</sup>

## INSTALLATION INSTRUCTIONS

NOTE: READ ALL OF THESE INSTRUCTIONS BEFORE YOU START!

**BEFORE UNPACKING YOUR DECOROOF ENSURE YOU HAVE THE PROPER DECOROOF FOR YOUR WINDOW!** Check the roof dimensions listed on the Box. **For Bays:** Check to see that the Angle and the Projection measurements match those ordered. **For Bows:** Check to see that the Bow Angle and the number of panels match what was ordered. If you ordered a DecoRoof for a manufactured Bay or Bow window, the model number of that window should be listed on the box. If the dimensions and/or model numbers do not match those ordered, your roof may be the wrong size and cannot be installed. Contact your supplier immediately before going any further.

**BRICK OR MASONRY INSTALLATIONS:** If this roof was ordered to fit against the face of the brick or other masonry, you will find counter flashings packed with the roof inside the carton. The roof cannot be used against the face of brick or other masonry without some sort of counter flashings. If you also have a **BRICK SOFFIT KIT** for this particular window model, then the counterflashings will be

inside that kit. These kits will always be in a separate carton.

**TOOLS:** Two 7/16" wrenches, #2 Phillips screwdriver, caulking gun, drill with a 3/32" bit, metal snips.

**CLASSIC SIDING TEMPLATE:** For standard (non-brick) installations, a curve template is drawn on one of the cardboard dividers used in the packing. **DON'T THROW IT AWAY!** You will find it very useful in trimming the siding to fit snugly against the curved sides of the roof.

**PARTS NUMBERING:** All panels and major parts are marked on the back. Panel numbers and parts read from left to right as seen from the front. Most roofs will have three (1-2-3) or four (1-2-3-4) panels. Center panels for BAY roofs are marked "CP" and are interchangeable with each other. For example, a five-panel roof will be marked 1-2-CP-3-4, and a six panel roof will be marked 1-2-CP-CP-3-4. BOW roof panels are numbered sequentially; that is, 1-2-3 for a three panel bow roof, and 1-2-3-4-5 for a five panel bow.

### ATTENTION!

If your roof has the clear or opaque protective film, do not remove it. This plastic film protects the finish during installation and construction and should be removed only after these processes are completed. This film must be removed within 2 weeks of installation. Prolonged exposure to UV rays from the sun makes later removal extremely difficult.